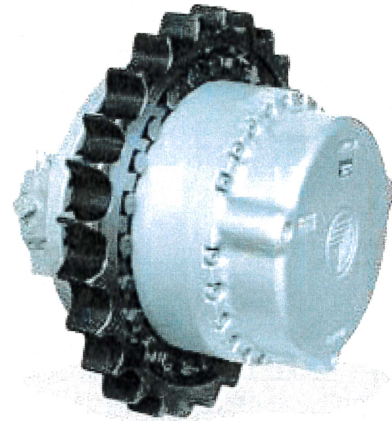
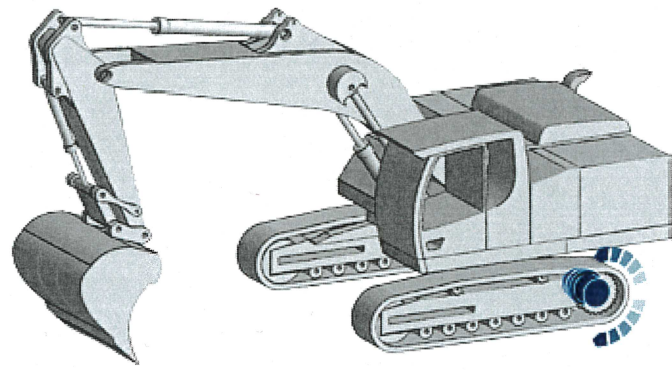


Track drive for excavators from 7 to 54 tons.



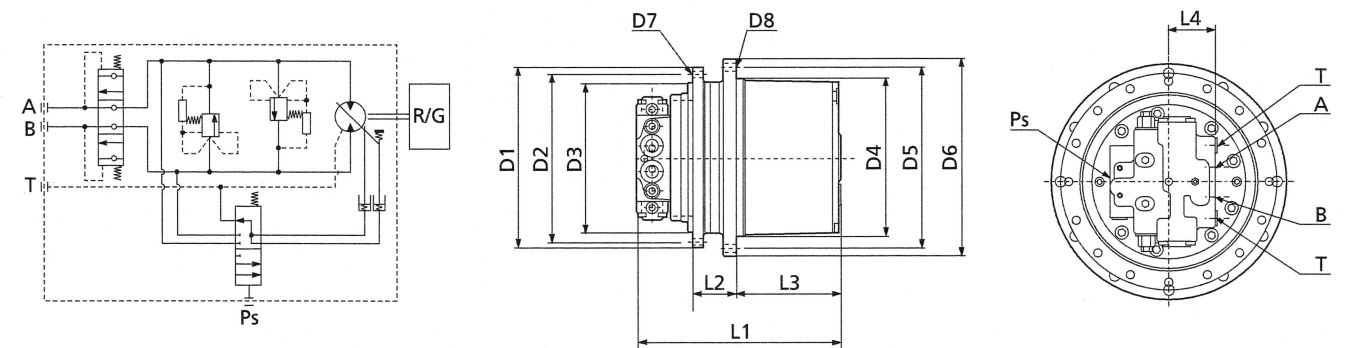
700CK Track drive gearmotors

Extreme compactness, lightweight, efficiency and smooth operation are the key features of the 700CK series track drives, powered by integrated axial piston hydraulic motors, developed in cooperation with KAYABA.

Type	Output torque (Nm)
705 C2 K	9000
706 C3 K	18000
707 C3 K	26000
709 C3 K	30000
710 C3 K	36000
710 C2 K	40000
713 C2 K	45000
713 C3 K	60000
715 C3 K	85000



TYPE	RATIOS	MOTOR TYPE	MOTOR DISPLACEMENT	MAX PRESSURE	MAX OIL FLOW	APPROX. WEIGHT OF MACHINE
705 C2 K	48-53	MAG50VP	44	300	65 ÷ 75	6 ÷ 8
706 C3 K	68-79	MAG50VP	44	300	65 ÷ 75	8 ÷ 10
707 C3 K	40-45	MAG85VP	85	300	110 ÷ 120	10 ÷ 12
709 C3 K	53-63-69	MAG85VP	85	300	110 ÷ 160	12 ÷ 20
710 C3 K	49-69	MAG170VP	170	300	175 ÷ 240	20 ÷ 25
710 C2 K	41-44-47	MAG170VP	170	300	175 ÷ 240	20 ÷ 25
713 C2 K	55	MAG170VP	170	300	180 ÷ 230	25 ÷ 29
713 C3 K	60-68-75	MSF170VP/230VP	170-230	345	260 ÷ 310	29 ÷ 37
715 C3 K	62-82	MSF230VP/340VP	230-340	345	270 ÷ 370	37 ÷ 50



TYPE	D1	D2	D3	D4	D5	D6	D7	D8	L1	L2	L3	L4	A-B	T	Ps
705 C2 K	268	244	210	230	260	286	M14x2 n°12	M14x2 n°12	340	75	144	50	1/2"	3/8"	1/4"
706 C3 K	308	280	246	280	330	370	M16x2 n°20	M16x2 n°12	412	100	193	50	1/2"	3/8"	1/4"
707 C3 K	350	320	280	300	340	370	M16x2 n°16	M16x2 n°20	440	91	210	84	3/4"	1/2"	1/4"
709 C3 K	375	340	300	330	370	400	M16x2 n°30	M16x2 n°30	470	99,5	246	84	3/4"	1/2"	1/4"
710 C3 K	375	340	300	350	400	435	M16x2 n°30	M16x2 n°30	455	91	243	84	3/4"	1/2"	1/4"
710 C2 K	370	340	300	402	440	470	M16x2 n°30	M16x2 n°22	474	98.5	223	94	1"	1/2"	1/4"
713 C2 K	450	410	360	410	455	490	M24x3 n°18	M20x2.5 n°22	500	106	265	84	3/4"	1/2"	1/4"
713 C3 K	480	440	380	410	455	490	M24x3 n°18	M20x2.5 n°24	570	100	287	90	1"	1/2"	1/4"
715 C3 K	500	460	420	460	510	550	M20x2.5 n°24	M20x2.5 n°24	605	130	315	90	1"	1/2"	1/4"